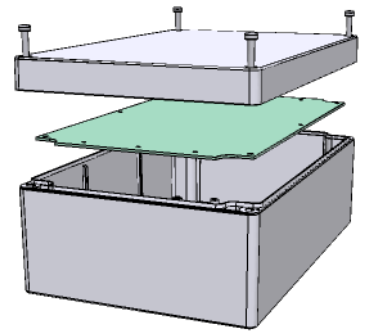


UL US LISTED
 File #E65324
 NEMA 4, 4X



Enclosures can be Factory Modified (Milling, Drilling, Printing etc.)
 Solid models of this enclosure available in STEP or IGES.
 Contact Factory mjm@hammondmfg.com

NOTE	
Purchased assembly includes box, lid, and 4 cover screws	
Recommended Cover screw torque -- 2.5 lbf-in (30 cN-m)	
Polycarbonate version is UL 508 approved Matl UL94 - V0 / 5VA @ 3mm	

1554V	
1554V Regular Enclosure	
General Purpose ABS RAL-7035	1554VGY
Polycarbonate RAL-7035	1554V2GY
1554V Clear / Smoke Lid Enclosure	
Polycarbonate Box / Clear Polycarbonate Lid	1554V2GYCL
Polycarbonate Box / Smoke Polycarbonate Lid	1554V2GYCL
ACCESSORIES	
Heavy Duty 16 Gauge Galvanized Steel Panels	1554VPL
Steel Panel / P.C. Board Machine Screw [M3 x 8mm Nickel Plated]	1591MM100
Steel Panel / P.C. Board Self Tapping Screw [#6 X 1/4" (6.4mm) Nickel Plated]	1598ATS100
Cover Screws (Pkg 4) [M4 X20mm Type 304 Stainless Steel]	SC1554

HAMMOND MANUFACTURING™

1554V

www.hammondmfg.com